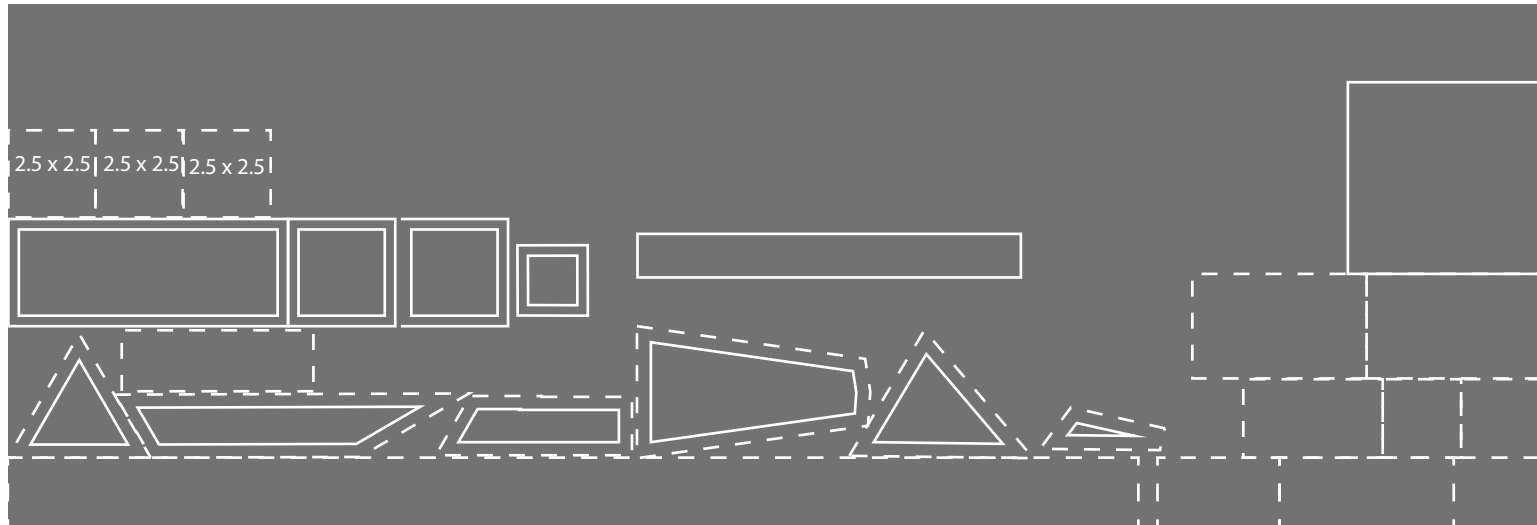


Fabric cutting scheme

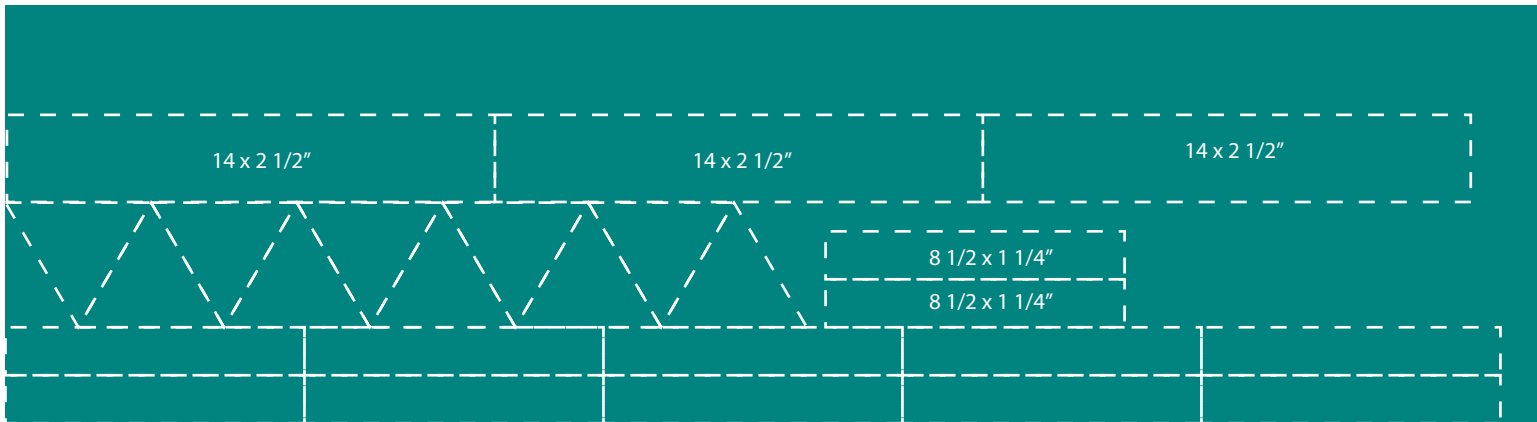
Sugaridoo Bernina QAL part 12

Row #11

Accent fabric 15" x WOF



Main fabric Jade 12" x WOF



Background fabric Aqua 20" x WOF

